

LK Water Valve

DESIGN

The LK Water Valve is a product designed to easily open and shut of the supply of water. Examples of use include lawn sprinkler and filling installations or other applications for which it is desirable to remotely control water supply. Valves are manufactured in stainless steel and are suitable for use in drinking water installations.

The LK Water Valve is available in the dimensions G15, G20 and G25 with female threads.



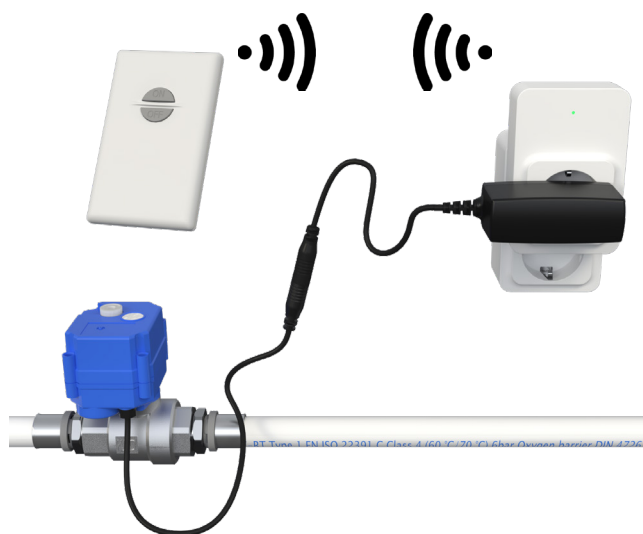
NOTE! The LK Water Valve does not meet the requirements for a water safety system and is therefore not interchangeable with the LK Water Safety System.

SYSTEM DESCRIPTION

The LK Water Valve is a motorized ball valve that opens when the current is on and closes when the current is switched off. The motorized ball valve is powered by the adapter LK Power Supply 230 V AC/12 V DC.

The power supply connects to a wall socket, preferably equipped with remote-controlled switch or timer.

The remote circuit breaker or timer then controls the current to the motorized ball valve, opening and shutting the water supply. The motorized valve is normally closed when deenergized.



Example connection of LK Water Valve

TABLE OF CONTENTS

Design	1
System description	1
Assembly	2
Dimension drawing	2
Technical Data	3
Article data	3
Environment – recycling	3
Warranty	3



ASSEMBLY

The motorized ball valve can be installed horizontally or vertically. Installation of motorized ball valves must be carried out by a qualified HVAC installer.



NOTE! Any safety systems, such as home sprinkler systems or emergency cooling for solid fuel boilers, must be connected **before** the motorized ball valve.

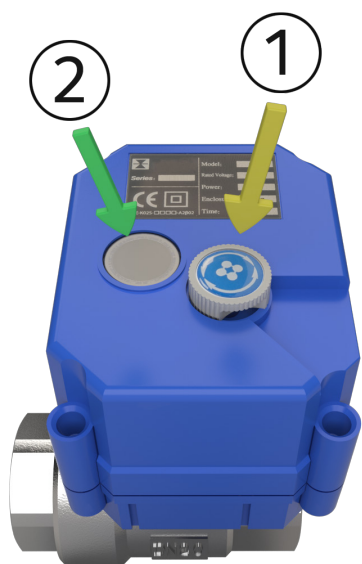
The easiest option is to connect the power supply to a wall socket equipped with a remote-controlled switch or timer.

Connect the LK Power Supply to the LK Water Valve.

Manually opening/closing

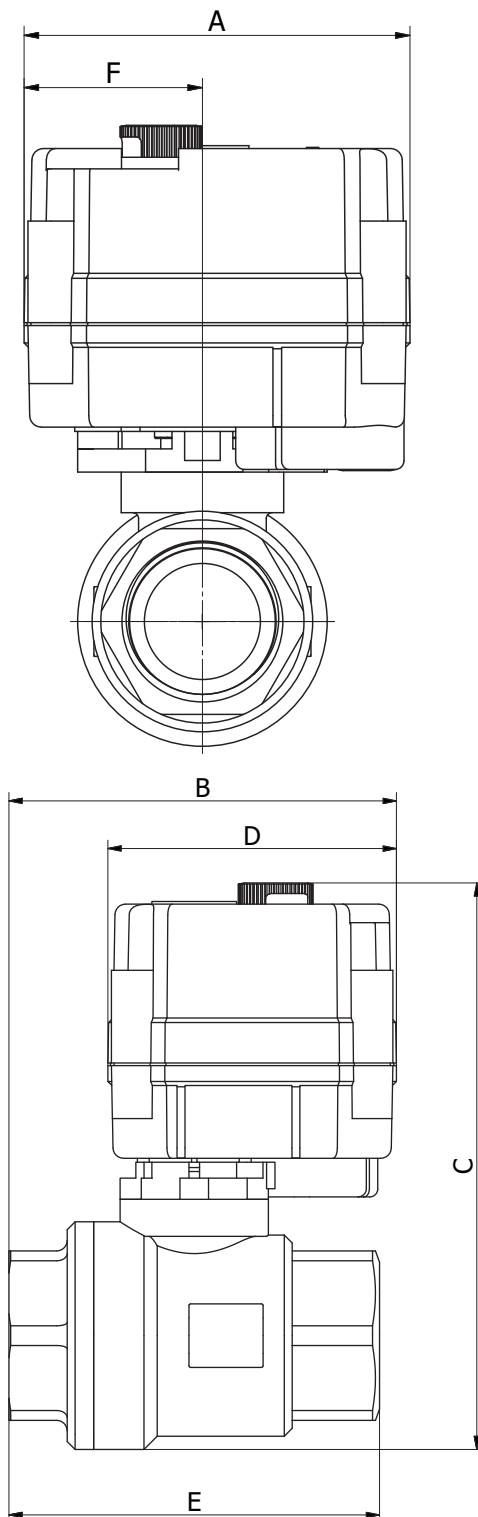
Forced opening of the motorized ball valve is achieved by pulling the white handle (1) upwards and turning it until the status indicator (2) shows that the valve is open. Once done, push the handle down again.

The valve is closed in the same manner, by turning the handle until the status indicator shows that the valve is closed.



Valve with status indicator and emergency opening handle.

DIMENSION DRAWING



Dim.	A	B	C	D	E	F
G15 / 1/2"	66,5	67,5	103	54,5	57	30,7
G20 / 3/4"	66,5	70,5	109,5	54,5	70	30,7
G25 / 1"	66,5	76	109,5	54,5	76	30,7



TECHNICAL DATA

LK Water Valve incl. quick cable connection.

With optional 12 V DC LK Power Supply.

Voltage: 12V DC

Power: 5 W

Protection class: IP67

Pressure range: 0-10 bar

Temperature range: 0-80°C

Connection: Female thread G15, G20 or G25

Material: Stainless steel SS304

Running time: Approx. 5 secs.

ARTICLE DATA

Name	Article no.
LK Water Valve 12V DC, G15 female	481 00 17
LK Water Valve 12V DC, G20 female	481 00 18
LK Water Valve 12V DC, G25 female	481 00 19
LK Power Supply 230 V AC/12 V 1 A DC	188 25 50

ENVIRONMENT

When the system reaches the end of its working life, it should be sorted as electronics or other electronics and deposited at a recycling centre. LK Systems is affiliated to El-Kretsen for the collection and recycling of electronics and batteries.

WARRANTY

LK Systems AB is responsible for faults in products occurring within two years from the delivery of the product to the buyer. If LK is liable for the fault in the product, LK retains the right to replace the product with either a new or repaired product. The warranty period for the replacement or repaired product or spare part shall not exceed the warranty period for the original product. The seller is not responsible for faults resulting from accidents, incorrect assembly, incorrect installation, inadequate maintenance, misuse or other non-standard use.

LK Systems AB is not liable for any form of loss or damage caused by a non-functioning product. Liability is strictly limited to the replacement of the product.

